



sportCollarium revolution D

Nominal power min/max: 8 kW/10 kW

Weight: ~1190 lbs

Bench pane: 330 lbs (max. load capacity)

Electrical requirements

Power connection: rear side left

Protective class: IP20

Mains voltage: 400V / ~3N / 50Hz

Wire cross section: 5 x 4 mm² Ölflex

Fuses: Automatic fuse K-type (safety cut-out), 3-pole (3 x 16A) with residual current-operated circuit breaker (RCD)

Air discharge

Fan: Exhaust-air socket Ø 300 - Height to top 1563 mm (With and without hot air recirculation)

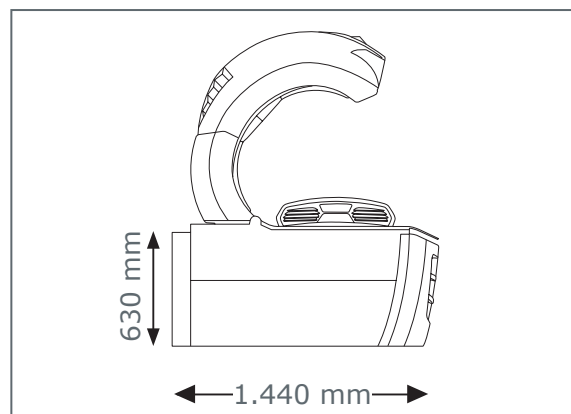
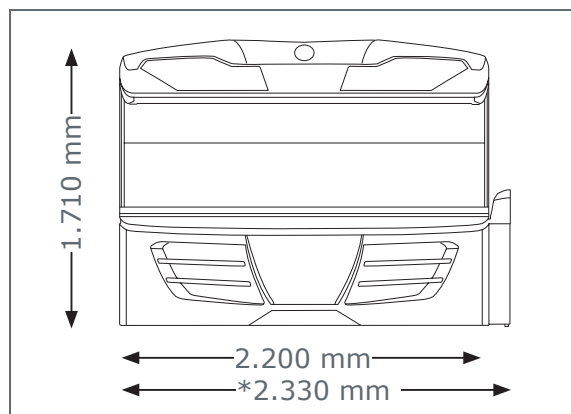
Minimum exhaust air flow rate: 2250 m³/h

Exhaust-air hose: Ø 300

Dimensions

(Height x width x depth) in mm: 1370 x 2330 x 1580 (closed)

1710 x 2330 x 1440 (open)





Tower sportCollarium revolutionD

Nominal power max:	11 kW
Weight:	~849 lbs
Bench pane:	330 lbs (max. load capacity)
Electrical requirements	
Power connection:	rear side right
Protective class:	IP20
Mains voltage:	400V / ~3N / 50Hz
Wire cross section:	5 x 2,5 mm ² Ölflex
Fuses:	Automatic fuse K-type (safety cut-out), 3-pole (3 x 25A) with residual current-operated circuit breaker (RCD)
Air discharge	
Fan:	Exhaust-air socket Ø 300
Minimum exhaust air flow rate:	2000 m ³ /h
Exhaust-air hose:	Ø 300
Dimensions	
(Height x width x depth) in mm:	2180 ±10 x 1400 ±5 x 1498 ±5 (closed) 2180 +10 x 1400 +5 x 1958 +5 (open)

