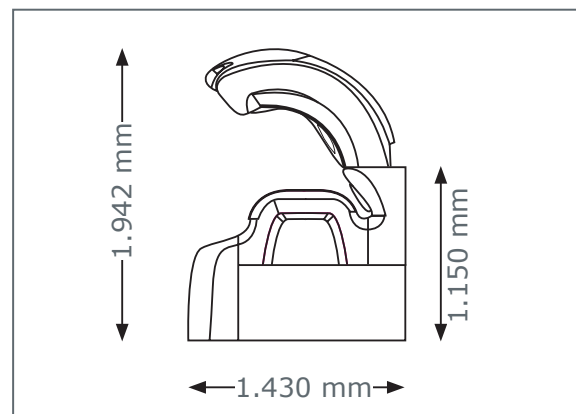
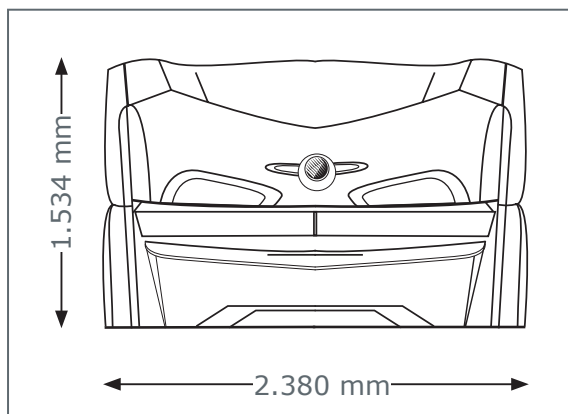




6900 α deluxe

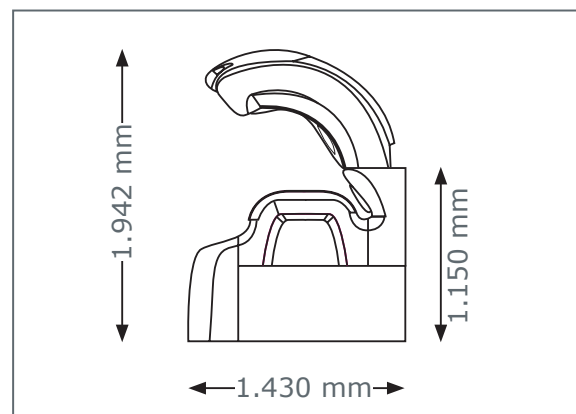
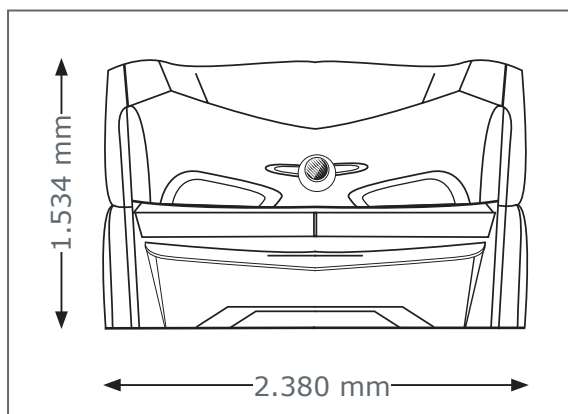
Nominal power min/max:	10 kW/13 kW
Weight:	~13676 lbs (with aircon)
Bench pane:	330 lbs (max. load capacity)
Electrical requirements	
Power connection:	rear side left
Protective class:	IP20
Mains voltage:	400V / ~3N / 50Hz
Wire cross section:	5 x 4 mm ² Ölflex
Fuses:	Automatic fuse K-type (safety cut-out), 3-pole (3x20A -> 6700 Super) (3x25A -> 6700/6800/6900 SP & UP & IS) with residual current-operated circuit breaker (RCD)
Air discharge	
Fan:	Exhaust-air socket Ø 300 - Height to top 2095 mm (With and without hot air recirculation)
Minimum exhaust air flow rate:	2250 m ³ /h
Exhaust-air hose:	Ø 300
Dimensions	
(Height x width x depth) in mm:	1534 x 2380 x 1430 (closed) 1942 x 2380 x 1430 (open)





6800 hurricane

Nominal power min/max:	10 kW/14 kW
Weight:	~13676 lbs (with aircon)
Bench pane:	330 lbs (max. load capacity)
Electrical requirements	
Power connection:	rear side left
Protective class:	IP20
Mains voltage:	400V / ~3N / 50Hz
Wire cross section:	5 x 4 mm ² Ölflex
Fuses:	Automatic fuse K-type (safety cut-out), 3-pole (3x20A -> 6700 Super) (3x25A -> 6700/6800/6900 SP & UP & IS) with residual current-operated circuit breaker (RCD)
Air discharge	
Fan:	Exhaust-air socket Ø 300 - Height to top 2095 mm (With and without hot air recirculation)
Minimum exhaust air flow rate:	2250 m ³ /h
Exhaust-air hose:	Ø 300
Dimensions	
(Height x width x depth) in mm:	1534 x 2380 x 1430 (closed) 1942 x 2380 x 1430 (open)





6700α

Nominal power min/max:	8 kW/14 kW
Weight:	~13676 lbs (with aircon)
Bench pane:	330 lbs (max. load capacity)
Electrical requirements	
Power connection:	rear side left
Protective class:	IP20
Mains voltage:	400V / ~3N / 50Hz
Wire cross section:	5 x 4 mm ² Ölflex
Fuses:	Automatic fuse K-type (safety cut-out), 3-pole (3x20A -> 6700 Super) (3x25A -> 6700/6800/6900 SP & UP & IS) with residual current-operated circuit breaker (RCD)
Air discharge	
Fan:	Exhaust-air socket Ø 300 - Height to top 2095 mm (With and without hot air recirculation)
Minimum exhaust air flow rate:	2250 m ³ /h
Exhaust-air hose:	Ø 300
Dimensions	
(Height x width x depth) in mm:	1534 x 2380 x 1430 (closed) 1942 x 2380 x 1430 (open)

